



MOUNTING ACCESSORIES

for VELMAG™ EM locks with stainless steel body 530 DaN

- Satin aluminium finishing



EXT750L

CHARACTERISTICS

Dimensions	EXT750L	45,5 x 222 x 63 mm
H x W x D	EXT750Z	126 x 182 x 63 mm



EXT750Z

Caution:
Fitting recommended inside locked areas

EXT750L

Adjustable L bracket for EXT750CTC

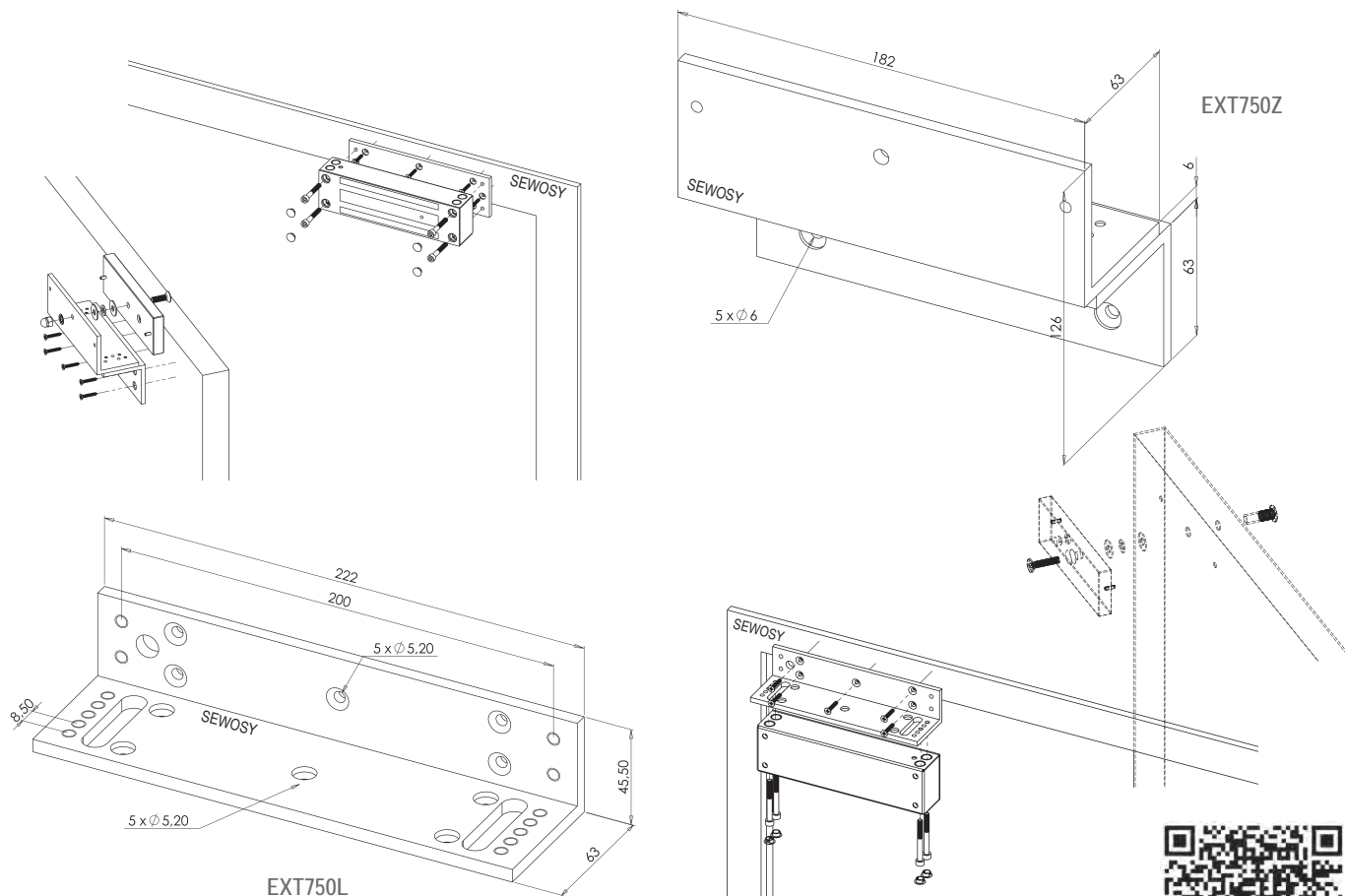
0,4 kg

EXT750Z

Adjustable Z bracket for EXT750CTC

0,8 kg

Customs code
83014019



VELMAG™ SURFACE EM LOCKS stainless steel body 530 SERIES