

STAINLESS STEEL / VANDAL-PROOF PUSH BUTTONS

stainless steel surface-mount housings




PBHI1



PBHI2

CHARACTERISTICS

Product number	Dimensions H x W x D	
PBHI1	94 x 38,30 x 46,80 mm	-10 +60 °C
PBHI2	83,30 x 83,50 x 46,80 mm	

PBHI1

Surface mounting housing stainless steel for push button on narrow plate

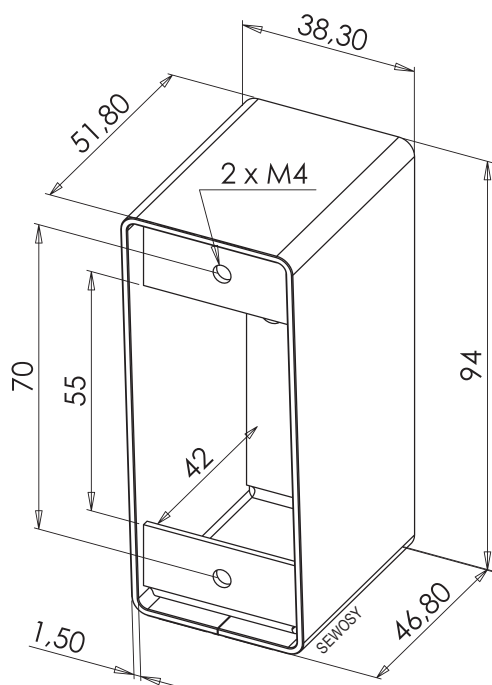
0,2 kg

PBHI2

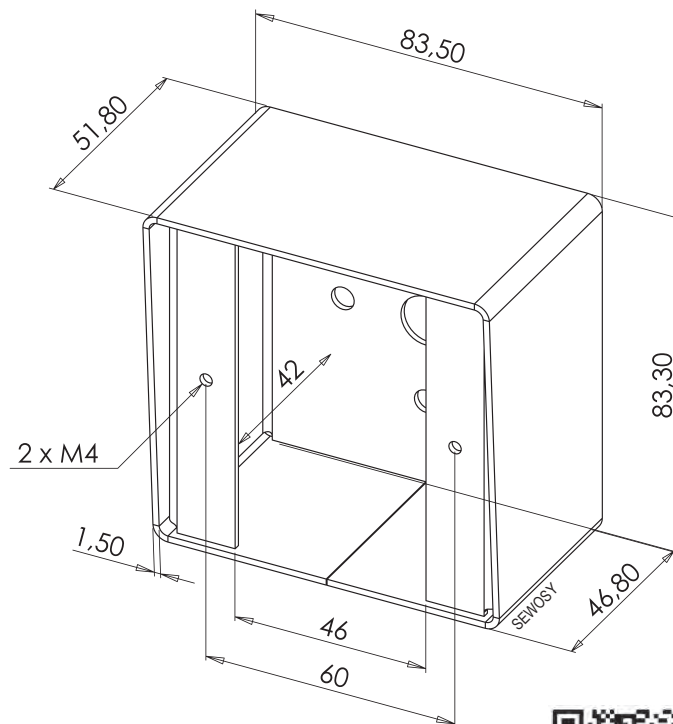
Surface mounting housing for push button on square plate

0,38 kg

Customs code
85365080



PBHI1



PBHI2

