

STAINLESS STEEL / VANDAL-PROOF PUSH BUTTONS

stainless steel mortise-mount plates



PBP19_FL



PBP19_3



PBP19_4



PBP19_B



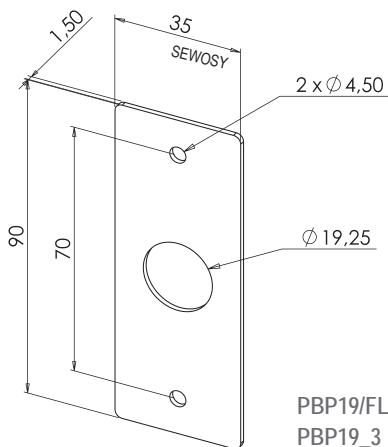
PBP19_TL

CHARACTERISTICS

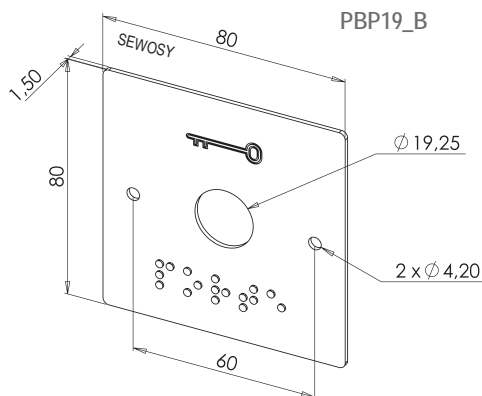
Product number	Dimensions H x W x D	
PBP19_FL	90 x 35 x 1,50 mm	-10 +60 °C
PBP19_3	90 x 35 x 1,50 mm	
PBP19_4	90 x 35 x 1,50 mm	
PBP19_B	80 x 80 x 1,50 mm	
PBP19_TL	80 x 80 x 1,50 mm	

PBP19_FL	Stainless steel plate for PB19 neutral	0,04 kg
PBP19_3	Stainless steel plate for PB19 with laser labelling finger + key	0,04 kg
PBP19_4	Stainless steel plate for PB19 with laser labelling finger + key + braille «PORTE»	0,04 kg
PBP19_B	Stainless steel with braille marking plate for PB19	0,04 kg
PBP19_TL	Stainless steel plate for head reader	0,06 kg

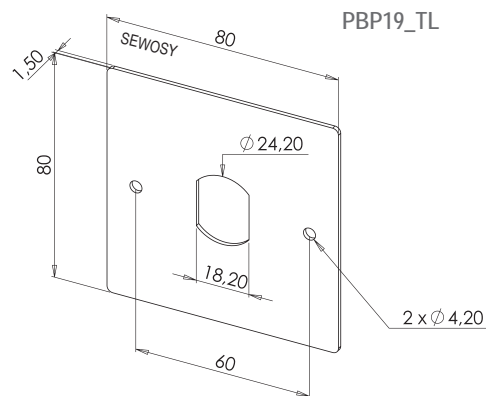
Customs code
85365080



PBP19_FL
PBP19_3
PBP19_4



PBP19_B



PBP19_TL

