

STAINLESS STEEL / VANDAL-PROOF PUSH BUTTONS

with screw terminals



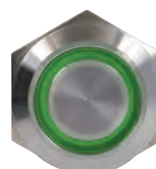
PB19NO



PB19NO+NC_ST



PB19NO+NC_B12_ST



PB19NO+NC_G12_ST



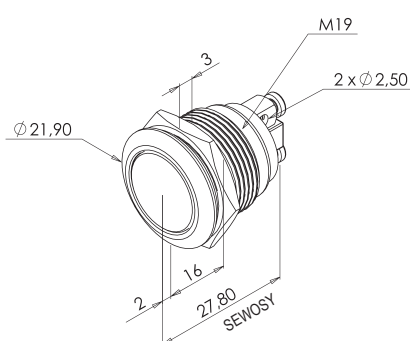
PB19NO+NC_R12_ST

CHARACTERISTICS

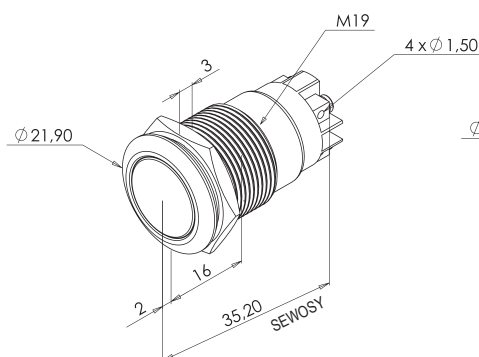
Product number	Dimensions H x W x D				
PB19NO	19 x 27,80 mm	48V DC-2A	-	-25 +55 °C	65
PB19NO+NC_ST	19 x 35,20 mm	250V AC-2 A 24V DC-1 A	-		
PB19NO+NC_B12_ST	19 x 35,20 mm	250V AC-2 A 24V DC-1 A	12V DC		
PB19NO+NC_G12_ST	19 x 35,20 mm	250V AC-2 A 24V DC-1 A	12V DC		
PB19NO+NC_R12_ST	19 x 35,20 mm	250V AC-2 A 24V DC-1 A	12V DC		

PB19NO	Push button stainless steel (NO) screw terminals	0,02 kg
PB19NO+NC_ST	Push button stainless steel (NO+NC) screw terminals	0,02 kg
PB19NO+NC_B12_ST	Push button stainless steel (NO+NC) 12 V DC screw terminals - blue	0,02 kg
PB19NO+NC_G12_ST	Push button stainless steel (NO+NC) 12 V DC screw terminals - green	0,03 kg
PB19NO+NC_R12_ST	Push button stainless steel (NO+NC) 12 V DC screw terminals - red	0,02 kg

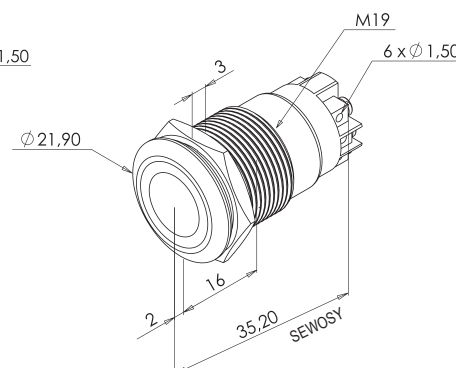
Customs code
85365080



PB19NO



PB19NO+NC_ST



PB19NO+NC_B12_ST
PB19NO+NC_G12_ST
PB19NO+NC_R12_ST

