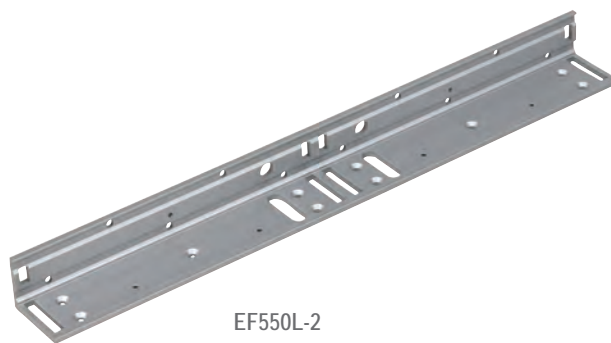


# MOUNTING ACCESSORIES

for VELMAG™ surface electromagnetic locks EF550-2

- Mounting on single or double action door
- Aluminium of 6061/T6 type
- Reinforced resistance by ridges
- High accuracy adjustment
- Z bracket in common with EF300 and EF550 series



EF550L-2



EF300/550Z

## CHARACTERISTICS

Dimensions	EF550L-2	45,70 x 532 x 57 mm
H x W x D	EF300/550Z	118 x 185 x 55,5 mm

**Caution:**  
Two mounting accessories  
required for double EM locks

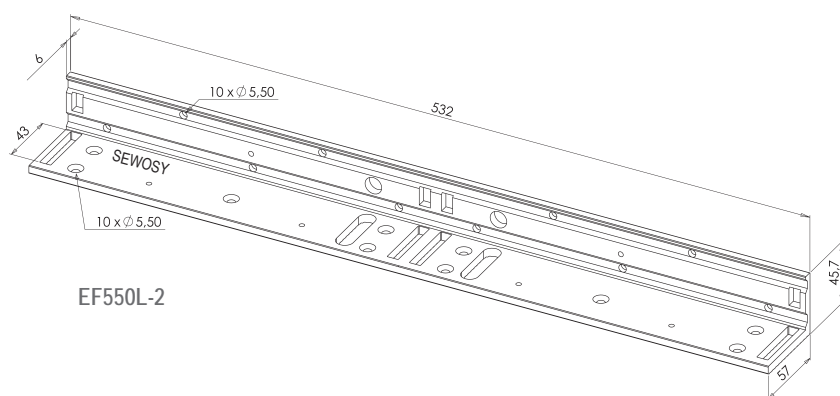
**EF550L-2** Adjustable L bracket for EF550-2 range

0,8 kg

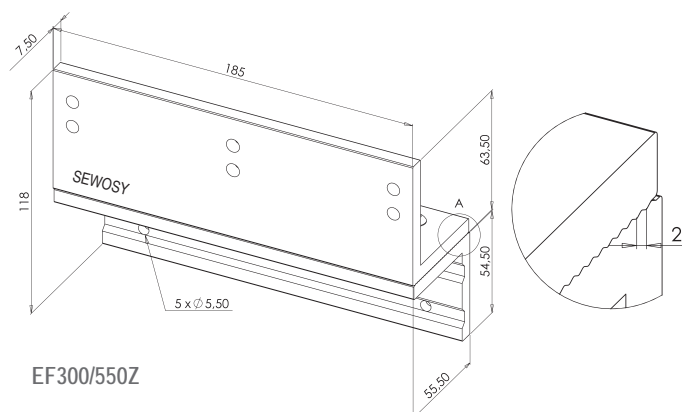
**EF300/550Z** Adjustable Z bracket for EF300 / EF550 range

0,9 kg

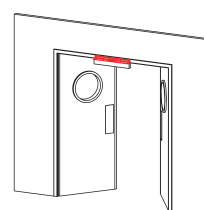
Customs code  
83014019



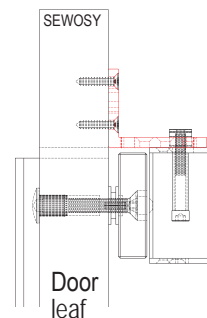
EF550L-2



EF300/550Z

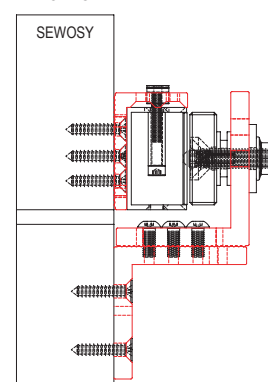


Door  
frame



Door  
leaf

Door  
frame



Door  
leaf

