



VELMAG™ SURFACE EM LOCKS stainless steel body

180 DaN

- Suitable for outdoor mounting IP67
- Electromagnetic lock body made of stainless steel
- Locked / unlocked status sensor by REED contact (CTC model)
- Standard and front mounting (comes with 2 mounting plates)
- Anti-remanence device by ejector



EXT200CTC

CHARACTERISTICS

Dimensions H x W x D	Electromagnet Armature plate	34,5 x 165 x 27,5 mm 33 x 130 x 11 mm	
	12-24V DC		500-250 mA
	-10°C +55°C		67
	24V DC-1 A		180*

* Maximal theoretical holding forces, for an implementation meeting the optimum laying conditions

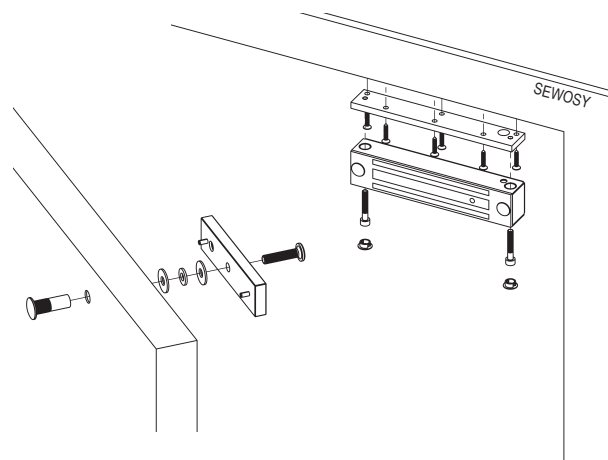
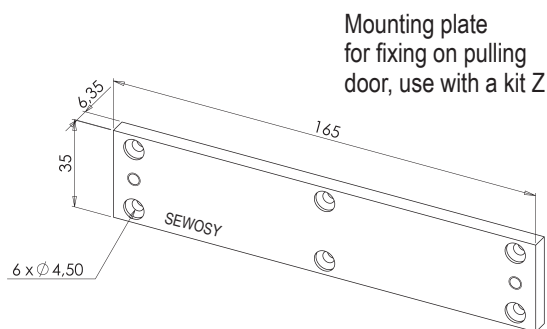
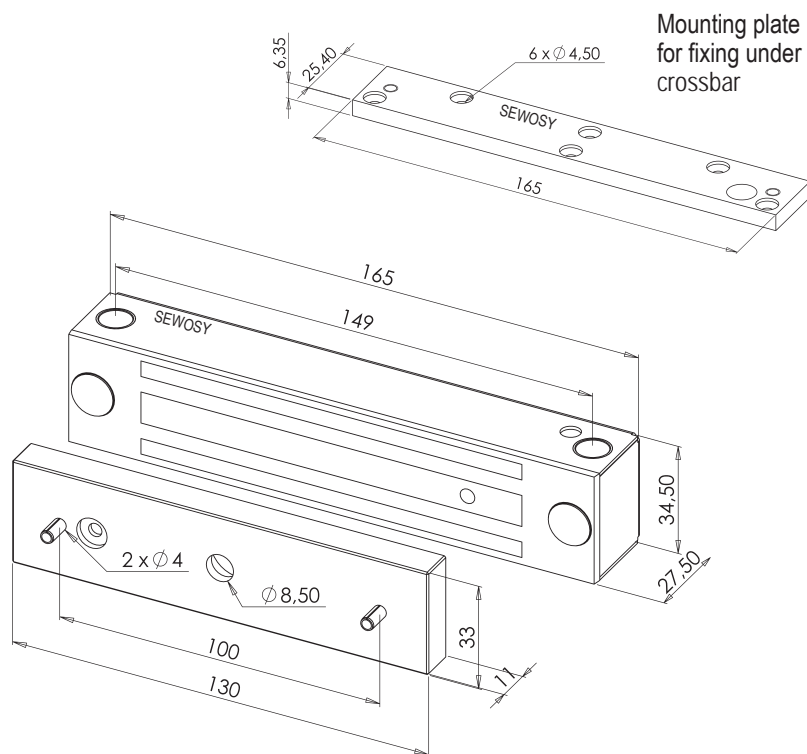
Caution:
Fitting recommended inside locked areas

EXT200CTC

Surface electromagnetic lock stainless steel 180 DaN 12-24V DC outdoor use + contact

1,5 kg

Customs code
83014019



VELMAG™ SURFACE EM LOCKS stainless steel body 180 SERIES