



VELMAG™ SURFACE EM LOCKS stainless steel body

370 DaN

- Suitable for outdoor mounting IP67
- Electromagnetic lock body made of stainless steel
- Locked / unlocked status sensor by REED contact (CTC model)
- Standard and front mounting (comes with 2 mounting plates)
- Anti-remance device by ejector



EXT400CTC

CHARACTERISTICS

Dimensions H x W x D	Electromagnet Armature plate	46 x 220 x 28 mm 44 x 182 x 12 mm	
	12-24V DC		500-250 mA
	-10°C +55°C		67
	24V DC-1 A		370*

* Maximal theoretical holding forces, for an implementation meeting the optimum laying conditions

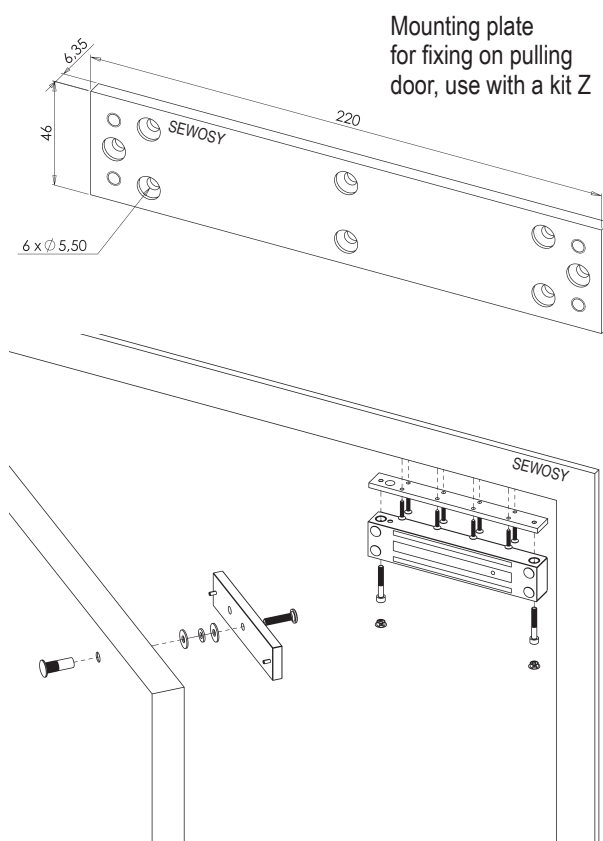
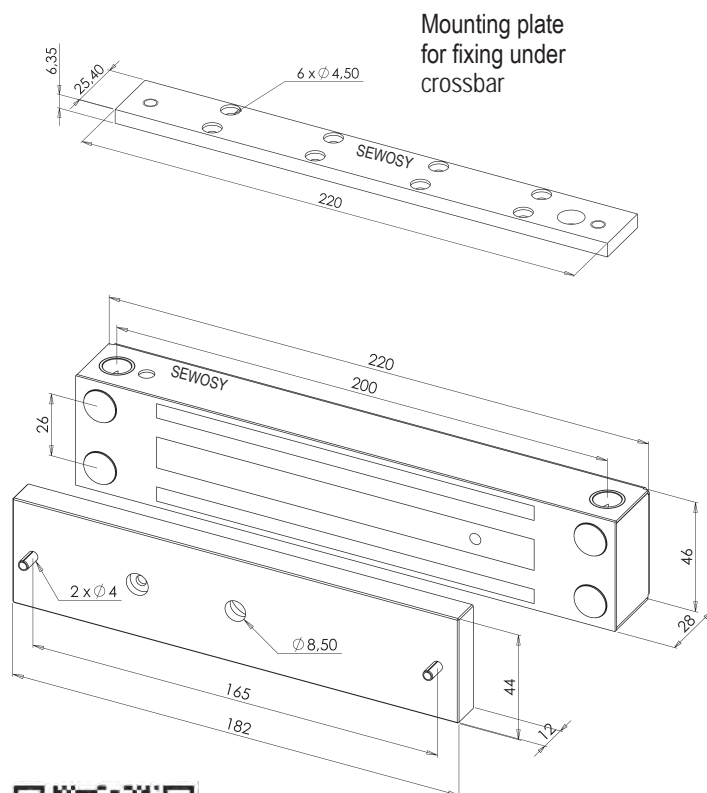
Caution:
Fitting recommended inside locked areas

EXT400CTC

Surface electromagnetic lock stainless steel 370 DaN 12-24V DC outdoor use + contact

2,7 kg

Customs code
83014019



VELMAG™ SURFACE EM LOCKS stainless steel body 370 SERIES