



# MOUNTING ACCESSORIES

for VELMAG™ EM locks with stainless steel body 180 DaN

- Satin aluminium finishing

## CHARACTERISTICS

Dimensions	EXT200L	29 x 165 x 38 mm
H x W x D	EXT200Z	76 x 140 x 38 mm



EXT200L



EXT200Z



**Caution:**  
Fitting recommended inside locked areas

### EXT200L

Adjustable L bracket for EXT200CTC

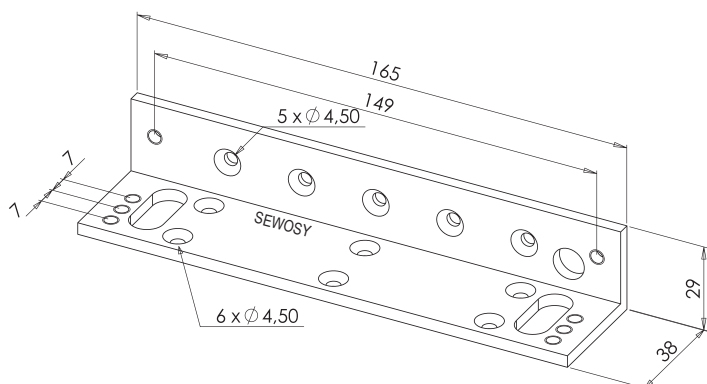
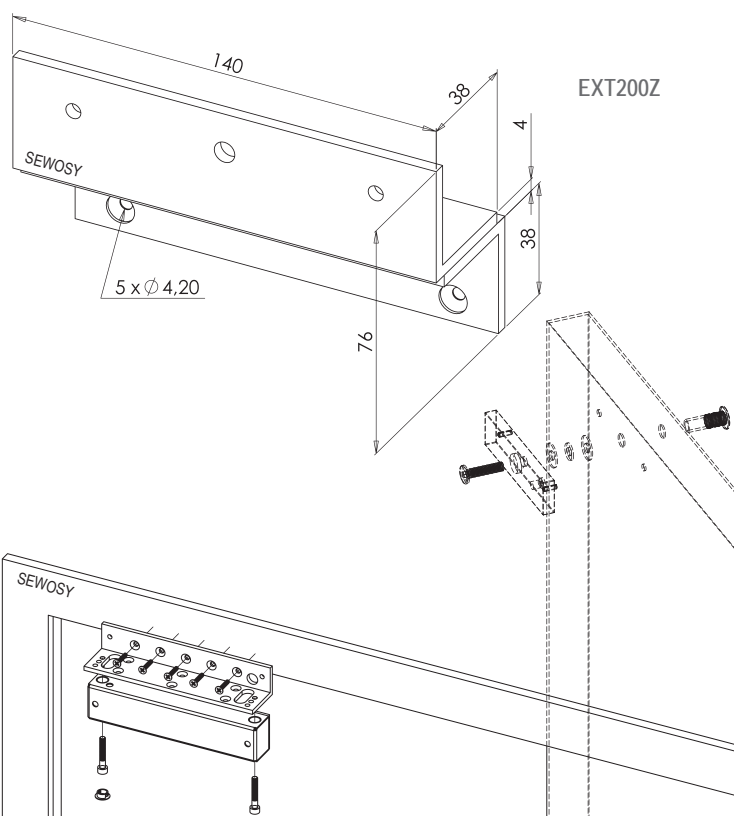
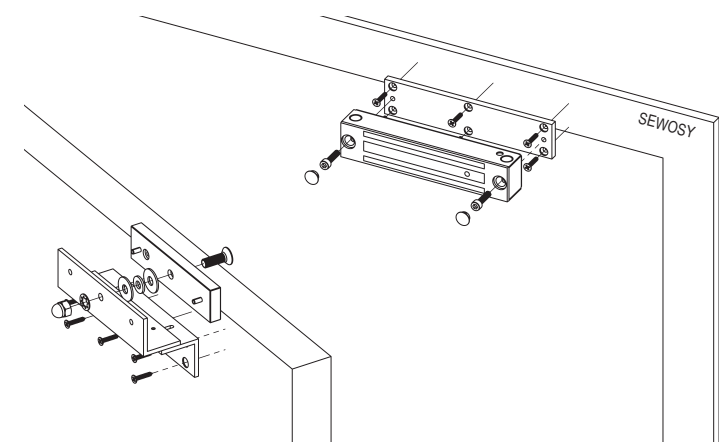
0,1 kg

### EXT200Z

Adjustable Z bracket for EXT200CTC

0,25 kg

Customs code  
83014019



EXT200L



VELMAG™ SURFACE EM LOCKS stainless steel body 180 SERIES