

STAINLESS STEEL / VANDAL-PROOF PUSH BUTTONS

with crimp-type terminals







PB19NO+NC



PB19NO+NC/B12

CHARACTERISTICS

Product number	Dimensions H x W x D				
PB19NO+NC	19 x 34 mm	250V AC-2 A 24V DC-1 A	-	-25 +55 °C	65
PB19NO+NC/B12	19 x 34 mm	250V AC-2 A 24V DC-1 A	12V DC	-25 +55 °C	65

PB19NO+NC

Push button stainless steel (NO+NC)
crimp-type terminals

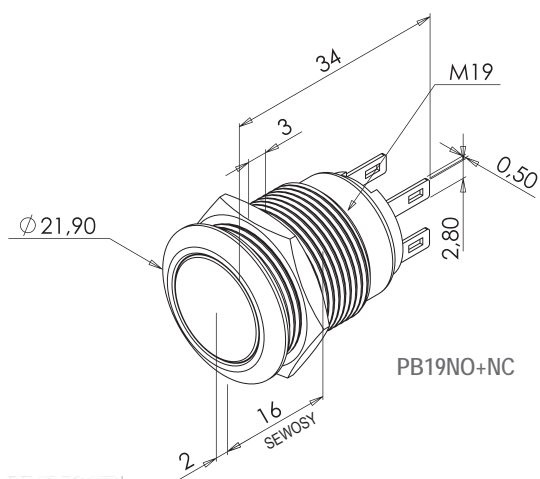
0,02 kg

PB19NO+NC/B12

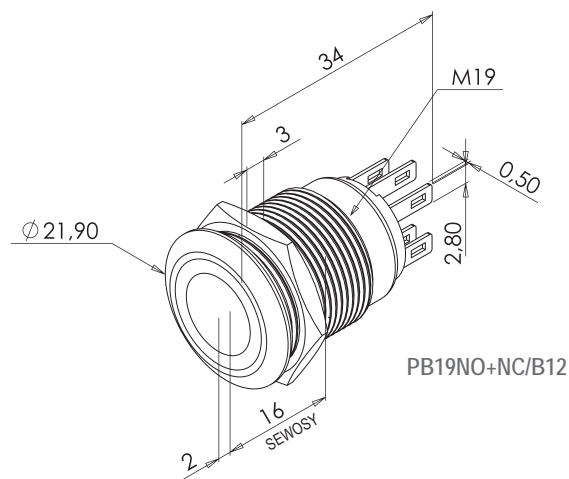
Push button stainless steel (NO+NC) 12 V DC
crimp-type terminals - blue

0,02 kg

Customs code
85365080



PB19NO+NC



PB19NO+NC/B12

