

MOUNTING ACCESSORIES

for VELMAG™ surface electromagnetic locks EF300

- Aluminium type 6061/T6
- Reinforced resistance by ridges
- High accuracy adjustment
- Z bracket in common with EF300 and EF550 series
- Z bracket offering fine and definitive fitting



EF300L



EF300/550Z

CHARACTERISTICS

Dimensions	EF300L	30,2 x 250 x 48 mm
H x W x D	EF300/550Z	118 x 185 x 55,5 mm

EF300L

Adjustable L bracket for EF300 range

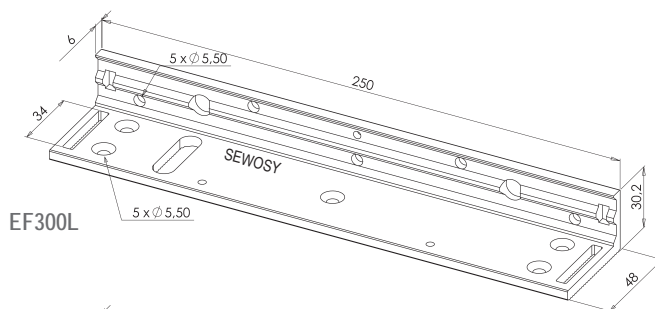
0,3 kg

EF300/550Z

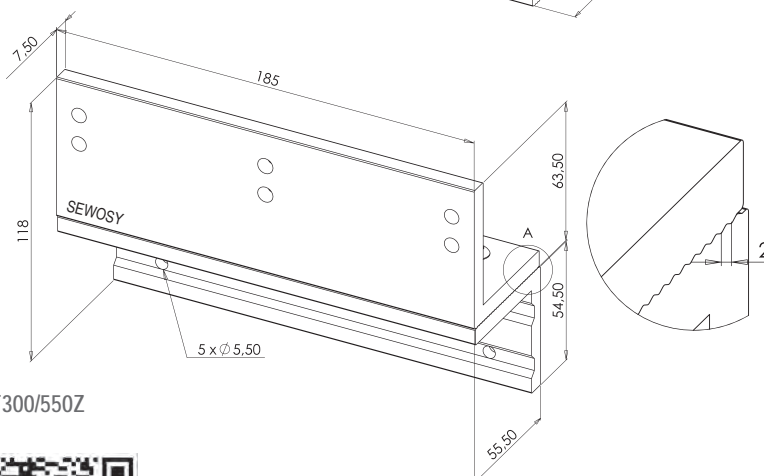
Adjustable Z bracket for EF300 / EF550 range

0,9 kg

Customs code
83014019



EF300L



EF300/550Z

