

# MOUNTING ACCESSORIES

for VELMAG™ surface electromagnetic locks EF150

- Satin aluminium finishing

## CHARACTERISTICS

Dimensions	EF150L	38 x 210 x 25 mm
H x W x D	EF150ZL	76 x 140 x 38 mm
	EF150U	39 x 130 x 24,5 mm



EF150L



EF150ZL

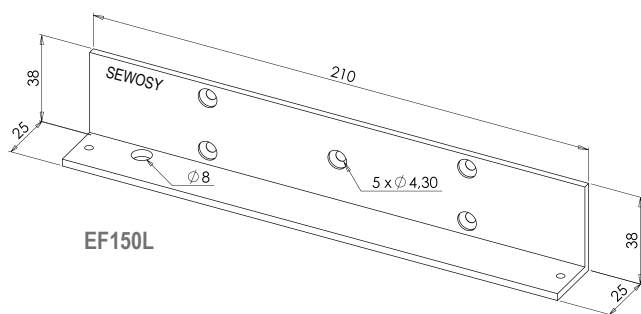


EF150U

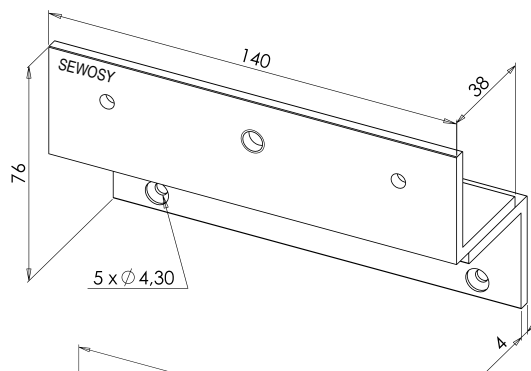
**Caution:**  
Two mounting accessories  
required for double EM locks

<b>EF150L</b>	L bracket for EF150 range	0,1 kg
<b>EF150ZL</b>	ZL bracket for EF150 range	0,4 kg
<b>EF150U</b>	U bracket for glass door 10-13 mm for EF150 range	0,2 kg

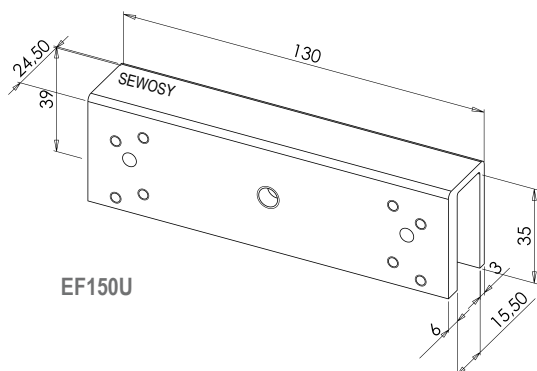
Customs code  
83014019



EF150L



EF150ZL



EF150U