

# MOUNTING ACCESSORIES

for VELMAG™ surface electromagnetic locks EF300-2

- Mounting on single or double action door
- Aluminium type 6061/T6
- Reinforced resistance by ridges
- High accuracy adjustment
- Z bracket in common with EF300 and EF550 series



EF300L-2



EF300/550Z

## CHARACTERISTICS

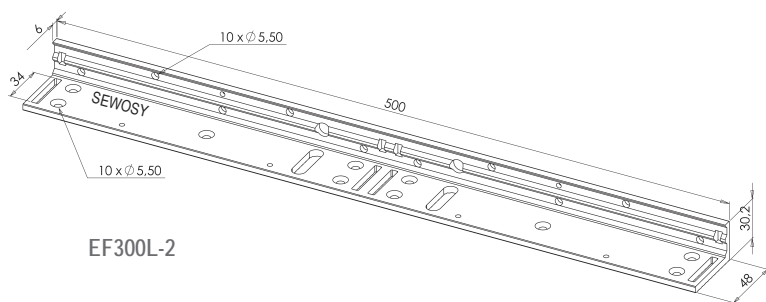
Dimensions	EF300L-2	30,2 x 500 x 48 mm
H x W x D	EF300/550Z	118 x 185 x 55,5 mm

**Caution:**  
Two mounting accessories  
required for double EM locks

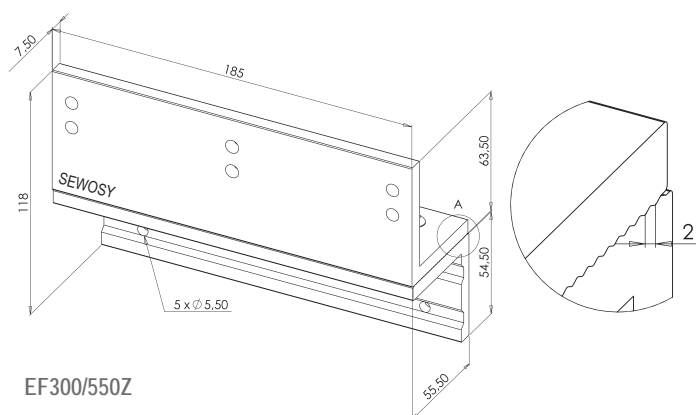
**EF300L-2** Adjustable L bracket for EF300-2 range 0,5 kg

**EF300/550Z** Adjustable Z bracket for EF300 / EF550 range 0,9 kg

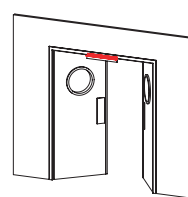
Customs code  
83014019



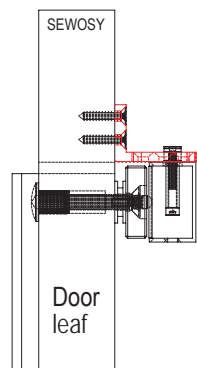
EF300L-2



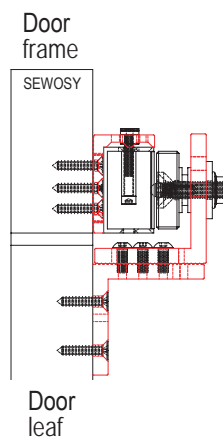
EF300/550Z



Door  
frame



Door  
leaf



Door  
frame

Door  
leaf

