

MOUNTING ACCESSORIES

for VELMAG™ surface electromagnetic locks EF550

- Improves aesthetics of installation
- Customizable in all RAL colors
- Mounting on pulling or pushing door
- Aluminium end caps (EF550C/AEC)



EF550C

CHARACTERISTICS

Dimensions	EF550C	157 x 282 x 102 mm
H x W x D	EF550C/AEC	157 x 3 x 102 mm

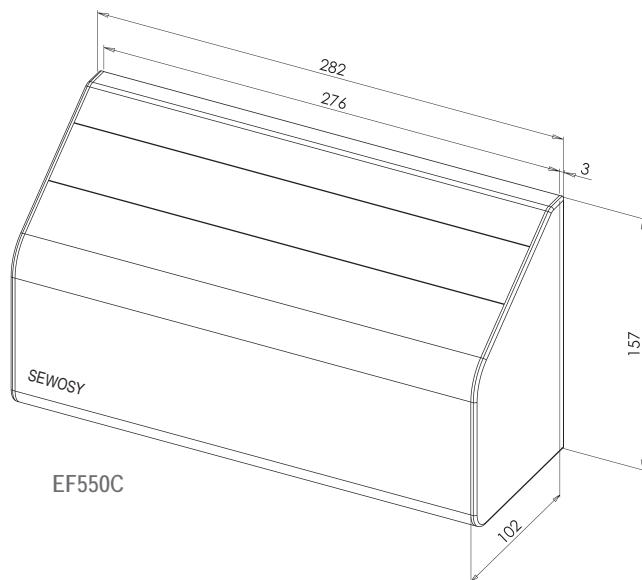


EF550C/AEC

EF550C	Aluminium cover for EF550L + EF300/550Z - with plastic end caps natural anodizing	0,9 kg
EF550C/AEC	Aluminium end caps for EF550C natural anodizing	0,3 kg
POWDER COATING	On request (*)	

Customs code
83014019

(*) (all RAL colours available)



EF550C

